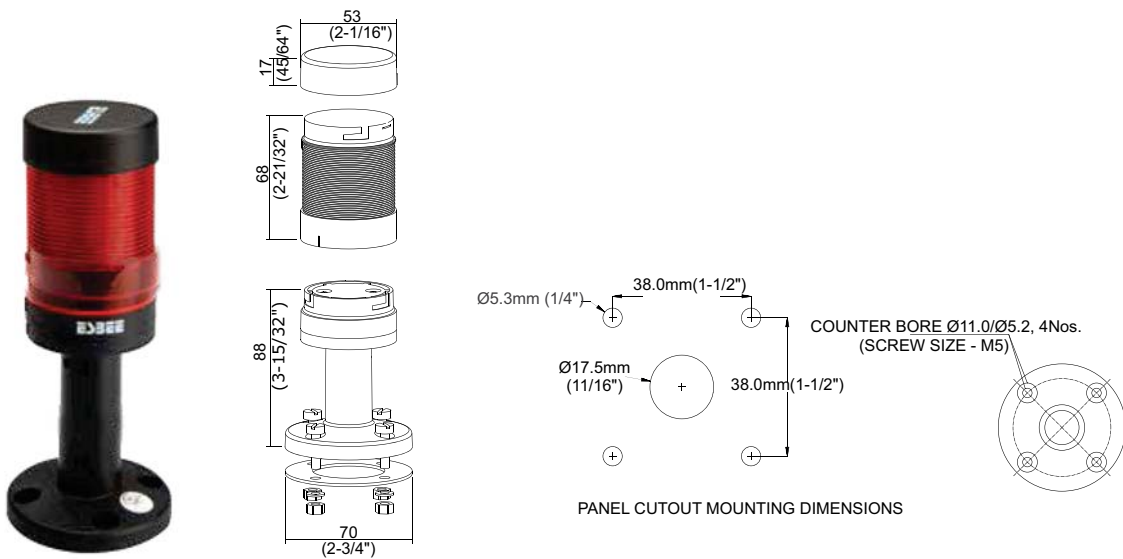


Tower Lights

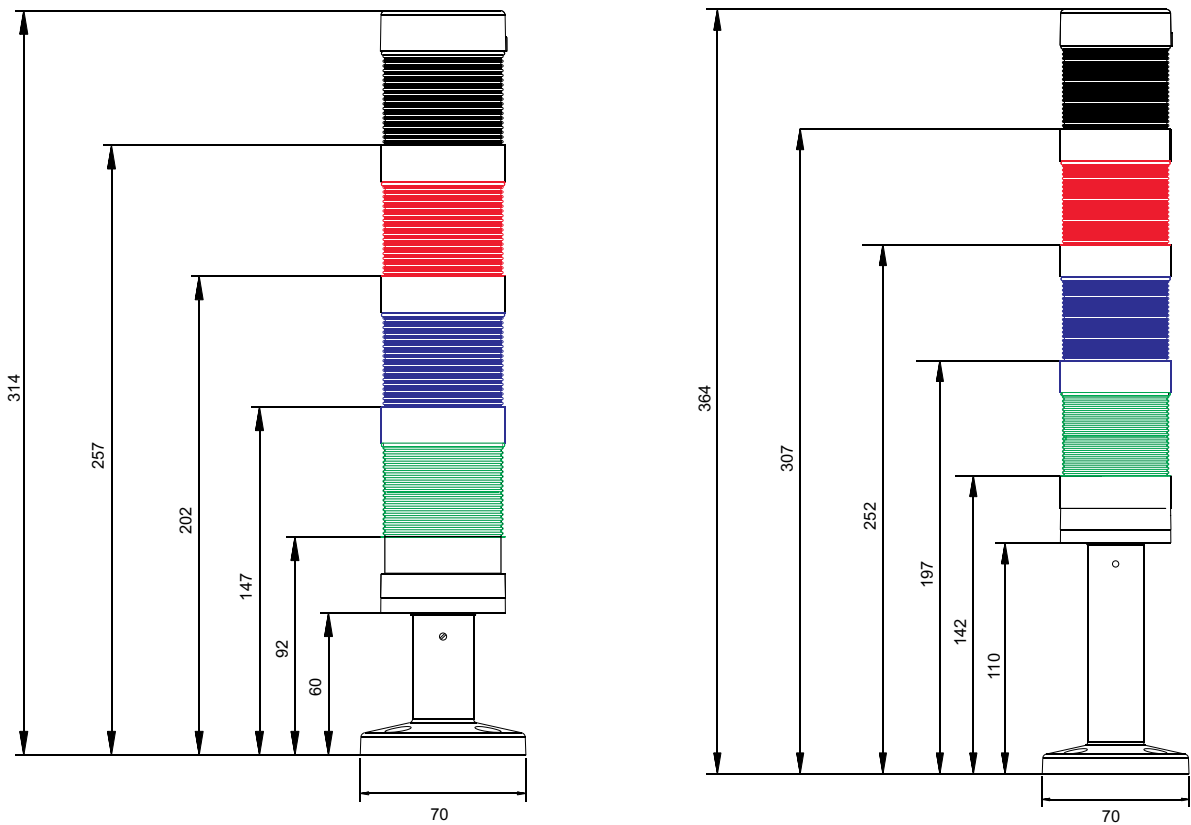
Choose Different **COLOURS**
And Set Your Own Combo



- Sleek & stackable design.
- SMD LED Technology for uniform & bright illumination.
- Flexibility to upgrade from single LED unit to multiple (max 4) LED units.
- Optional feature of Buzzer with dual sound mode-continuous & intermittent with 80db output.
- Different Mounting options like Base mounted, L clamp, Wall mounted, Swiveling base.



Dimensional Details

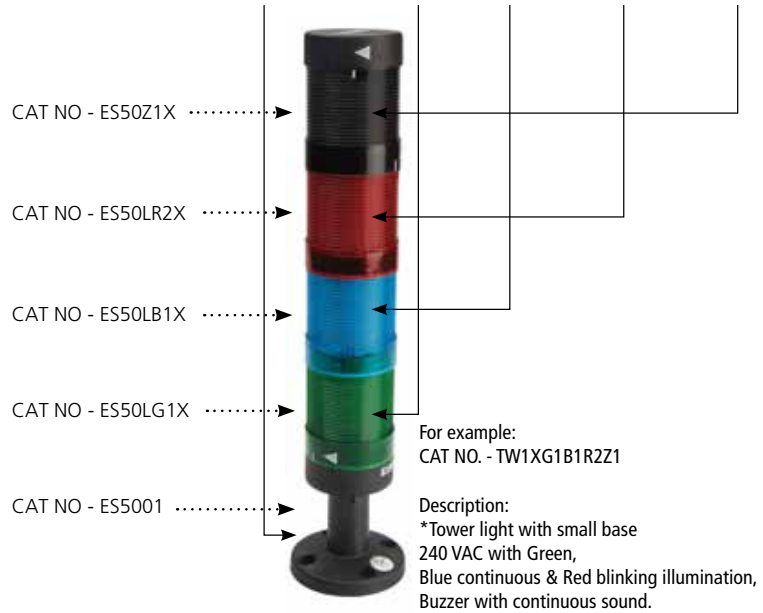


All dimensions are in mm

Selection Decoding

| Description | | Code |
|---------------|-----------------|------|
| Tower Light | | TW |
| Base | Small Base (SB) | 1 |
| | Big Base (BB) | 2 |
| Voltage | 240V AC | X |
| | 110V AC | W |
| | 24V AC/DC | U |
| | 12V AC/DC | T |
| Unit Colour | Red | R |
| | Green | G |
| | Yellow | Y |
| | Amber | A |
| | Blue | B |
| | White | W |
| Luminous Mode | Continuous | 1 |
| | Blinking | 2 |
| | Revolving | 3 |
| Buzzer* | Continuous | Z1 |
| | Intermittent | Z2 |

TW 1 X G 1 B 1 R 2 Z 1



For example:
 CAT NO. - TW1XG1B1R2Z1
 Description:
 *Tower light with small base
 240 VAC with Green,
 Blue continuous & Red blinking illumination,
 Buzzer with continuous sound.

Most Popular Combinations

| Single Stack | Double Stack | Three Stack | Four Stack |
|--|--------------|-------------|--------------|
| Tower light without buzzer - 24 VAC/DC | | | |
| TW1UR1 | TW1UR1G1 | TW1UR1A1G1 | TW1UR1G1A1B1 |
| Tower light without Buzzer - 240 VAC | | | |
| TW1XR2 | TW1XR1G1 | TW1XR1A1G1 | TW1XR1G1A1B1 |
| Tower light with Buzzer - 24 VAC/DC | | | |
| TW1UZ1 | TW1UR2Z2 | TW1UR1G1Z1 | TW1UR1A1G1Z1 |
| Tower light without Buzzer - 240 VAC | | | |
| TW1XZ1 | TW1XR1Z1 | TW1XR1G1Z1 | TW1XR1A1G1Z1 |

Tower Light Base Selection



| Base Type | Base Height | Part code |
|-----------|-------------|-----------|
| Small | 60 mm | ES5001 |
| Big | 110 mm | ES5002 |

Buzzer Lens Selection



| Buzzer Colour | Voltage | Part code sound mode | |
|---------------|------------|----------------------|--------------|
| ● | | Continous | Intermittent |
| | 012V AC/DC | ES50Z1T | ES50Z2T |
| | 024V AC/DC | ES50Z1U | ES50Z2U |
| | 110V AC | ES50Z1W | ES50Z2W |
| | 240V AC | ES50Z1X | ES50Z2X |

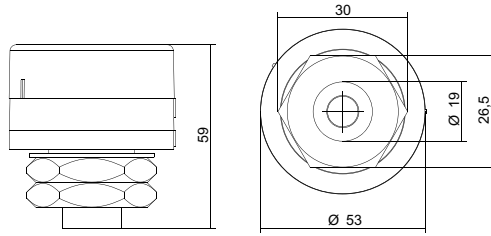
Luminous Lens Selection



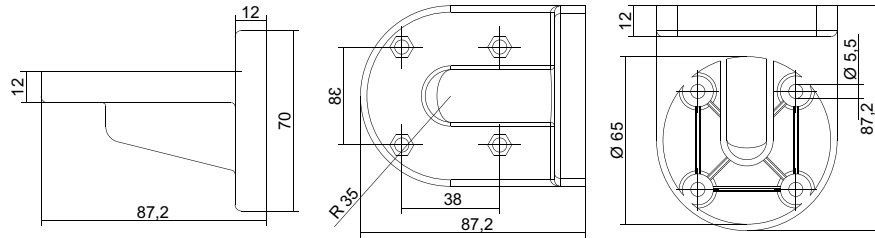
| Tower Light Lens popular configuration | | | | |
|--|------------|-------------------------|----------|-----------|
| Housing Colour | Voltage | Part code Luminous Mode | | |
| | | Continous | Blinking | Revolving |
| ● | 012V AC/DC | ES50LR1T | ES50LR2T | ES50LR3T |
| | 024V AC/DC | ES50LR1U | ES50LR2U | ES50LR3U |
| | 110V AC | ES50LR1W | ES50LR2W | ES50LR3W |
| | 240V AC | ES50LR1X | ES50LR2X | ES50LR3X |
| ● | 012V AC/DC | ES50LG1T | ES50LG2T | ES50LG3T |
| | 024V AC/DC | ES50LG1U | ES50LG2U | ES50LG3U |
| | 110V AC | ES50LG1W | ES50LG2W | ES50LG3W |
| | 240V AC | ES50LG1X | ES50LG2X | ES50LG3X |
| ● | 012V AC/DC | ES50LB1T | ES50LB2T | ES50LB3T |
| | 024V AC/DC | ES50LB1U | ES50LB2U | ES50LB3U |
| | 110V AC | ES50LB1W | ES50LB2W | ES50LB3W |
| | 240V AC | ES50LB1X | ES50LB2X | ES50LB3X |
| ● | 012V AC/DC | ES50LY1T | ES50LY2T | ES50LY3T |
| | 024V AC/DC | ES50LY1U | ES50LY2U | ES50LY3U |
| | 110V AC | ES50LY1W | ES50LY2W | ES50LY3W |
| | 240V AC | ES50LY1X | ES50LY2X | ES50LY3X |
| ● | 012V AC/DC | ES50LA1T | ES50LA2T | ES50LA3T |
| | 024V AC/DC | ES50LA1U | ES50LA2U | ES50LA3U |
| | 110V AC | ES50LA1W | ES50LA2W | ES50LA3W |
| | 240V AC | ES50LA1X | ES50LA2X | ES50LA3X |
| ● | 012V AC/DC | ES50LW1T | ES50LW2T | ES50LW3T |
| | 024V AC/DC | ES50LW1U | ES50LW2U | ES50LW3U |
| | 110V AC | ES50LW1W | ES50LW2W | ES50LW3W |
| | 240V AC | ES50LW1X | ES50LW2X | ES50LW3X |

All dimensions are in mm

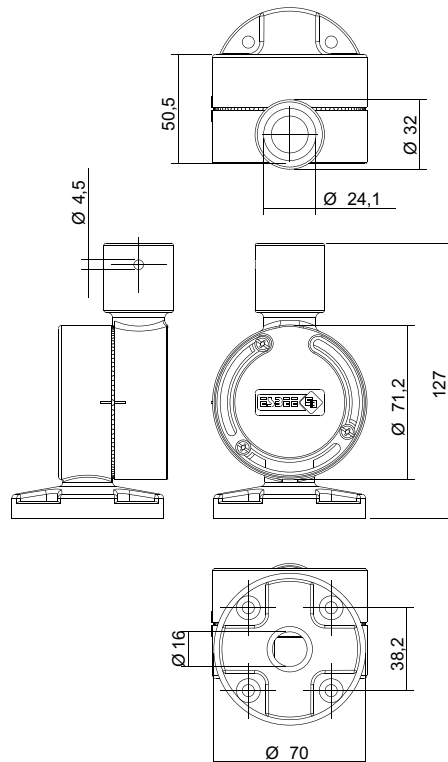
Tower light with different Mountings



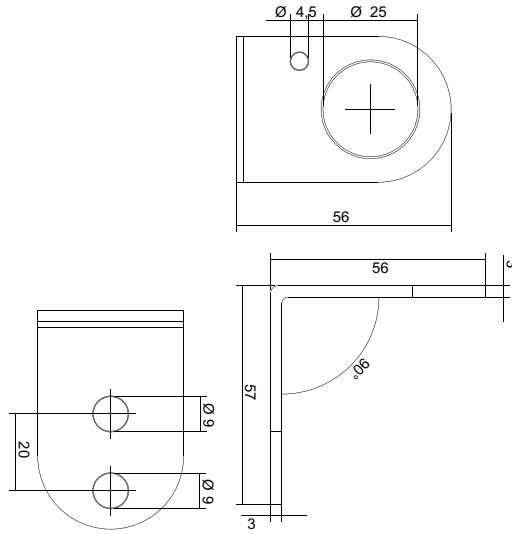
| Accessories | Part Code |
|--------------|-----------|
| Base mounted | ES60000 |



| Accessories | Part Code |
|----------------------|-----------|
| Wall mounted bracket | ES122012A |



| Swiveling | |
|-----------|---------|
| 100 mm | ES60004 |
| 200 mm | ES60006 |
| 400 mm | ES60010 |
| 500 mm | ES60012 |
| 800 mm | ES60018 |
| 1000 mm | ES60022 |



| L clamp | |
|---------|---------|
| 100 mm | ES70004 |
| 200 mm | ES70007 |
| 400 mm | ES70010 |
| 500 mm | ES70012 |
| 800 mm | ES70018 |
| 1000 mm | ES70022 |

Technical Specifications

| | |
|----------------------------|--|
| Outer diameter | Ø50mm |
| Degree of protection | IP65 & NEMA (1 2 3 3R 4 4X 12 13) |
| LED type | SMD |
| Lens colour | RED / GREEN / AMBER / BLUE / WHITE/ YELLOW |
| Luminous mode | Continuous, Blinking & Revolving |
| LED Life | 0.1 million burning hours |
| Buzzer colour | Black |
| Buzzer sound level | 80dB ± 5dB at 1 meter |
| Sounding mode | Continuous & Intermittent |
| Voltage range | 12 V AC/DC, 24V AC/DC, 110V AC, 240V AC |
| Limit of operating voltage | ±10% of rated voltage |
| Operating Frequency | 50 / 60 Hz |
| Operating Temperature | -25°C to 65°C |
| Storage Temperature | -30°C to 70°C |
| Operating Torque | 0.8 Nm |
| Wire Terminals | Wire size (AWG) 20-16 / 0.5 mm ² |
| Flash Rate (Time / min) | ±5% 60 |
| Surge test | 2 KV |
| HV test for 60 sec. | 1.5 KV |
| Current rating | 40-60mA for 12V AC/DC & 24V AC/DC 10-20mA for 110V AC & 240V AC |

Note : *For customized base please be in touch with our sales team.

All dimensions are in mm